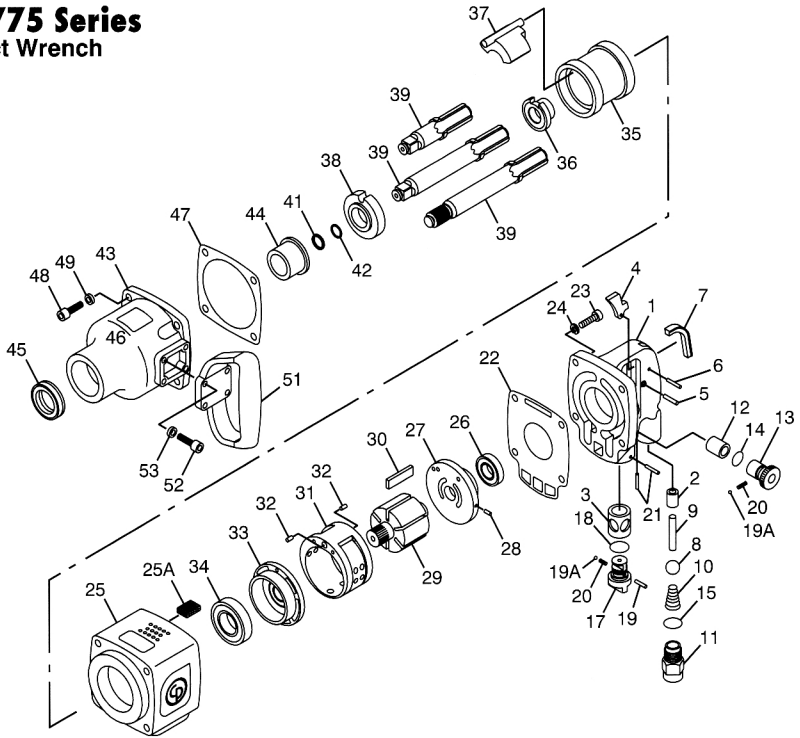


# CP7775 Series Impact Wrench



Index No.	Part No.	Description	No. Req'd.	Index No.	Part No.	Description	No. Req'd.
1	8940162151	Throttle Handle Assembly (Incl: Index No. 2, 3, 12)	1	30	8940162181	Blade-Set	1
2	8940162152	Bushing-Throttle	1	31	8940162182	Liner	1
3	8940162153	Bushing-Reverse Valve	1	32	8940162183	Pin	2
4	8940162154	Lever-Throttle	1	33	8940162184	Plate-Front End	1
5	8940162155	Pin-Throttle Lever	1	34	8940162185	Bearing	1
6	8940162156	Pin-Lever Stop	1	35	8940162186	Cage	1
7	8940162157	Cover-Slot	1	36	8940162187	Cam	1
8	8940162158	Valve-Throttle	1	37	8940162188	Dog	1
9	8940162159	Plunger-Throttle Valve	1	38	8940162189	Bushing-Cage	1
10	8940162160	Spring-Throttle Valve	1	39	8940162190	Anvil (1in. Sq. Dr.) (Incl: Index Nos. 41, 42)	1
11	8940162161	Inlet Bushing	1	8940162191	Anvil (1in. Sq. Dr. 6 in. Extension) (Incl: Index Nos. 41, 42)	1	
12	8940162162	Bushing-Regulator Valve	1	8940162192	Anvil (#5 Spline 6 in. Extension) (Incl: Index Nos. 41, 42)	1	
13	8940162163	Valve-Regulator	1				
14	8940162164	O-Ring	1				
15	8940162165	O-Ring	1	41	8940162193	Ring-Friction (1 in. Sq.)	1
17	8940162166	Valve-Reverse	1		8940162194	Ring-Friction (#5 Spline)	1
18	8940162167	O-Ring	1	42	8940162195	O-Ring (1 in. Sq.)	1
19	8940162168	Pin	1		8940162196	O-Ring (#5 Spline)	1
19A	8940162169	Ball	2	43	8940162197	Clutch Housing Assembly (Incl: Index Nos. 44, 45)	1
20	8940162170	Spring	2				
21	8940162171	Pin	2	44	8940162198	Bushing-Clutch Housing	1
22	8940162172	Gasket-Handle	1	45	8940162199	Seal	1
23	8940162173	Screw	4	46	CA155779	Decal-Safety Warning	1
24	8940162174	Lock Washer	4	47	8940162200	Gasket-Clutch Housing	1
25	8940162175	Housing-Motor	1	48	8940162201	Screw	4
25A	8940162176	Muffler Element	1	49	8940162202	Lock Washer	4
26	8940162177	Bearing	1	51	8940162203	Handle-Support	1
27	8940162178	Plate-Rear End	1	52	8940162204	Screw	4
28	8940162179	Pin	1	53	8940162205	Lock Washer	4
29	8940162180	Rotor	1				